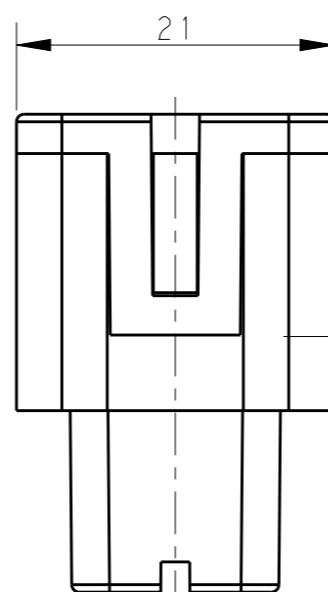
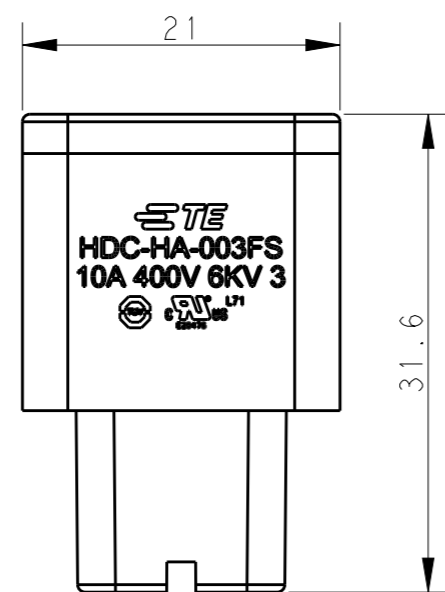
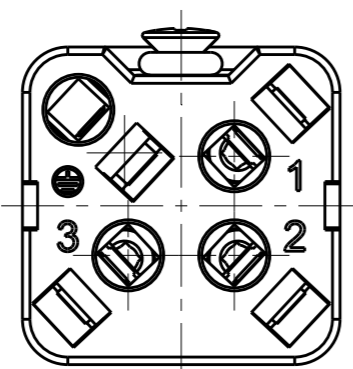
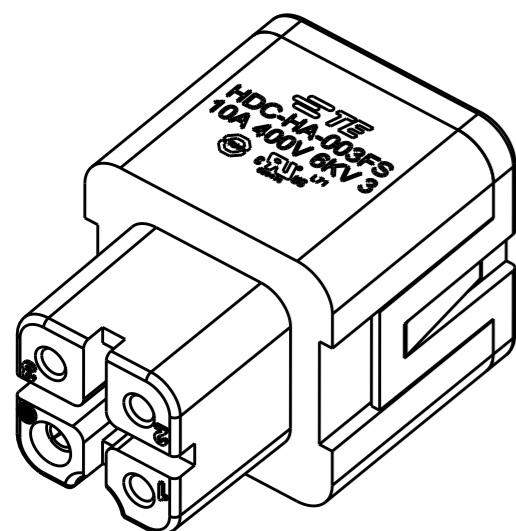
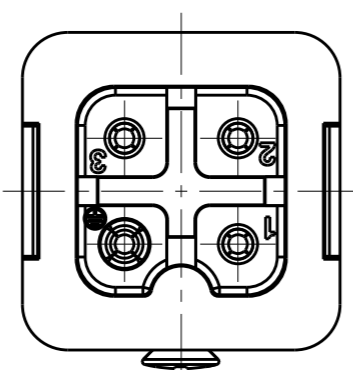


REVISIONS

P	LTR	DESCRIPTION	DATE	DWN	APVD
A		INITIAL	17MAR2015	DW	CW
B		ECR-15-013750	19SEP2015	DW	CW
B1		ECR-15-016224	05NOV2015	DW	CW



M3 SCREW,  
RECOMMENDED  
TIGHTENING  
TORQUE 0.5Nm



NOTES:

- TECHNICAL CHARACTERISTICS:  
INSULATION MATERIAL: PC  
RATED VOLTAGE: 400 V  
RATED CURRENT: 10 A  
INSULATION RESISTANCE:  $\geq 400M\Omega$   
RATED IMPULSE VOLTAGE: 6 KV  
POLLUTION DEGREE: 3  
FLAMMABILITY: UL94V-0  
MATING CYCLES: 500 CYCLES  
OPERATION TEMPERATURE: -40-+125°C  
WIRE RANGE: 0.5-2.5 mm<sup>2</sup> (20-14 AWG)  
CONTACT FINISH: SILVER PLATED  
CONTACT TYPE: SPRING CONTACT

注释:

- 技术参数:  
绝缘材料: PC  
额定电压: 400V  
额定电流: 10A  
绝缘电阻:  $\geq 400M\Omega$   
额定脉冲电压: 6 KV  
污染等级: 3  
阻燃等级: UL94V-0  
插拔次数: 500 次  
工作温度: -40-+125°C  
接线范围: 0.5-2.5 mm<sup>2</sup> (20-14 AWG)  
端子表面处理: 镀银  
接线类型: 弹片压接

THIS DRAWING IS A CONTROLLED DOCUMENT.

DIMENSIONS:	TOLERANCES UNLESS OTHERWISE SPECIFIED:
mm	
	0 PLC ±-
	1 PLC ±-
	2 PLC ±-
	3 PLC ±-
	4 PLC ±-
	ANGLES ±-
MATERIAL	FINISH
-	-
-	-

DWN	17MAR2015
DAVID WANG	
CHK	17MAR2015
CHRIS WANG	
APVD	17MAR2015
XU XIANG	
PRODUCT SPEC	108-137045
APPLICATION SPEC	114-137045
WEIGHT	-
Customer Drawing	

TE Connectivity		NAME		HA-003-FS
		SIZE	CAGE CODE	DRAWING NO
A300779		G-T2010033201000		-
SCALE		2:1	SHEET	1 OF 1
				REV B1